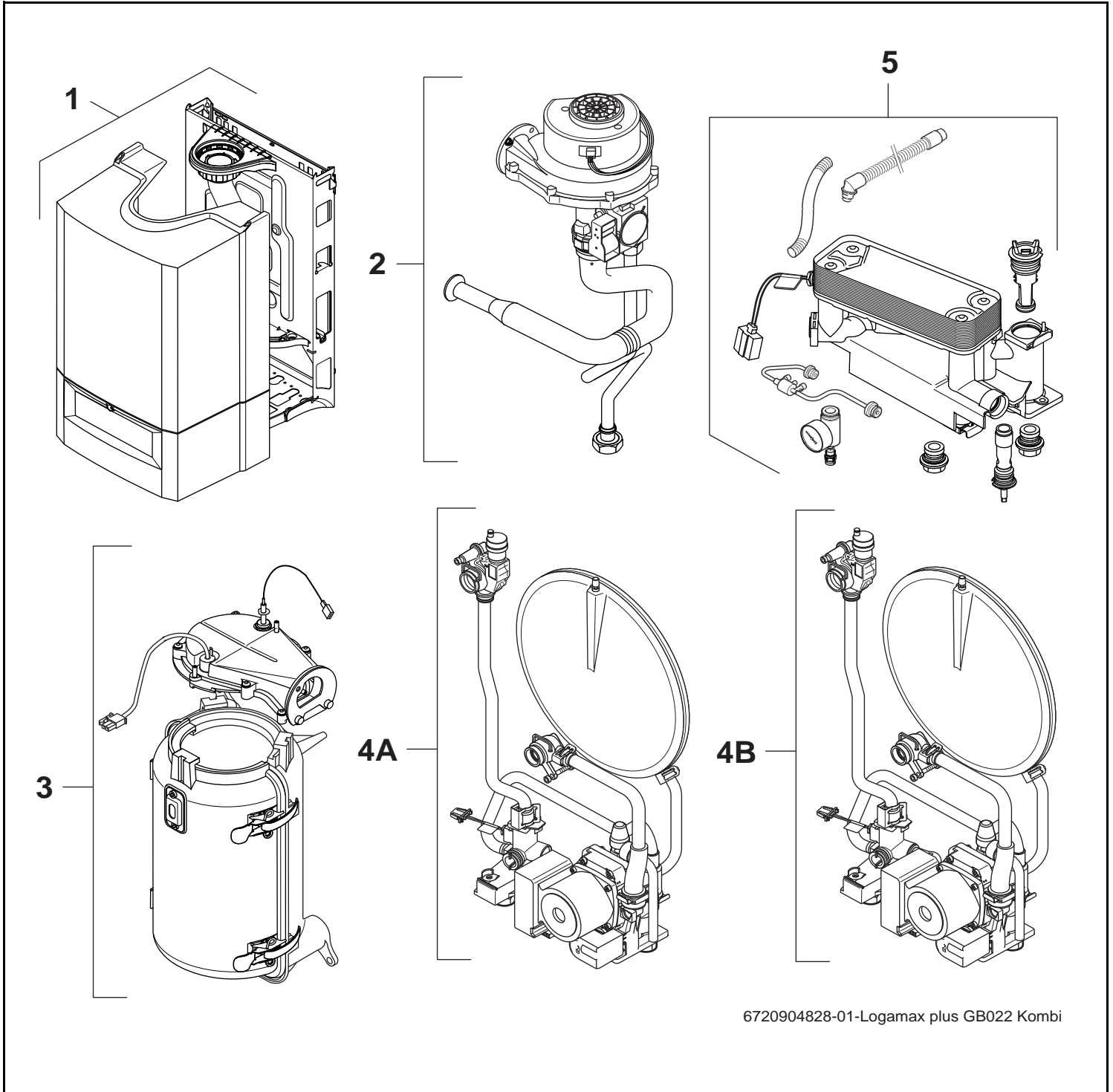


GB022-24,24K



Buderus

Wichtige Hinweise

- Ersatzteile dürfen nur von einem zugelassenen Installateur eingebaut werden!
- Im Anhang finden Sie:
 - die Übersetzungen aller verwendeten Teilebezeichnungen
 - eine Übersicht der Gerätetypen und Länder, für die diese Ersatzteilliste gilt.

Important notes

- The spare parts may only be installed by an approved installer!
- In the appendix you will find:
 - a list of translations of the names of all parts used
 - a list of the models and countries to which this spare parts list applies.

Indications importantes

- L'installation des pièces de rechange doit être effectuée par un professionnel qualifié!
- Veuillez trouver en annexe:
 - les traductions de toutes les désignations des pièces utilisées
 - une vue globale des types de chaudières et des pays pour lesquels la présente liste des pièces de rechange est valable.

Informações importantes

- Peças de substituição só podem ser montadas por um técnico credenciado!
- Em anexo encontra:
 - as traduções das designações de todas as peças utilizadas.
 - lista dos aparelhos e países para os quais esta lista de peças de substituição é válida.

Avvertenze importanti

- Le parti di ricambio possono essere montate esclusivamente da personale qualificato ed in possesso dei requisiti tecnico-professionali!
- In appendice sono reperibili:
 - traduzione di ogni descrizione relativa alle varie parti di ricambio
 - elenco di sigle e codici, corrispondente ai vari paesi di destinazione.

Indicaciones importantes

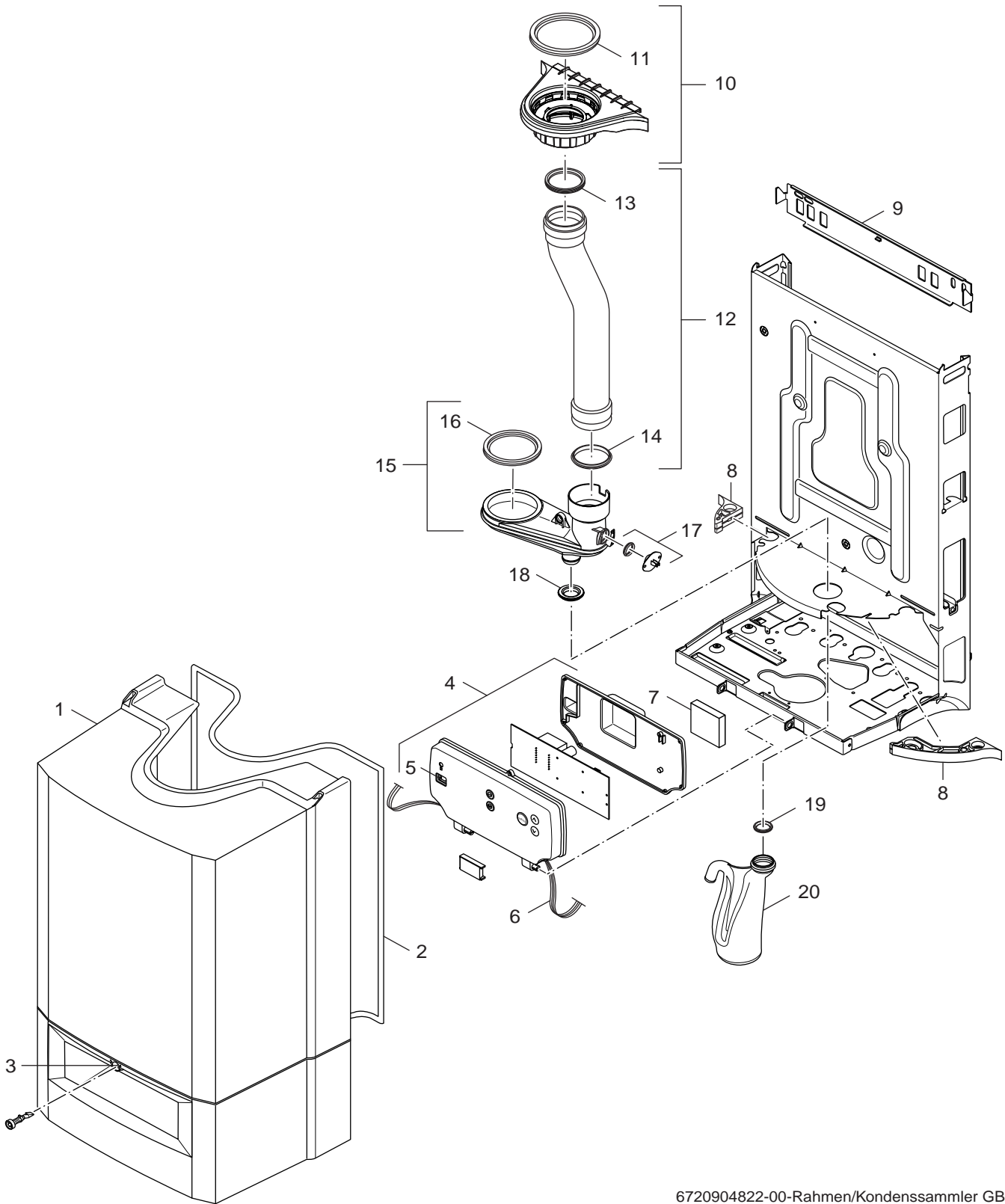
- Los repuestos solamente deben ser montados por los servicios técnicos oficiales de la marca!
- En el anexo podrá encontrar:
 - la traducción de todas las denominaciones de piezas empleadas
 - una relación de los tipos de aparato y países en los que se aplica esta lista de repuestos.

Belangrijke aanwijzing

- Onderdelen mogen alleen door een erkend installateur worden vervangen!
- In de bijlage vindt u:
 - de vertalingen van de gebruikte onderdelentekeningen
 - een overzicht van toesteltypen en de landen waarvoor deze onderdelenlijst bedoeld is.

Önemli Bilgiler

- Yedek parçalar sadece yetkili tesisatçılar tarafından monte edilebilir!
- Aşağıdaki bilgileri ekli olarak bulabilirsiniz:
 - Tüm kullanılan parça tanımlarının tercümelemleri
 - Bu yedek parça listesinin geçerli olduğu tüm cihaz çeşitleri ve ülkelerin özeti.

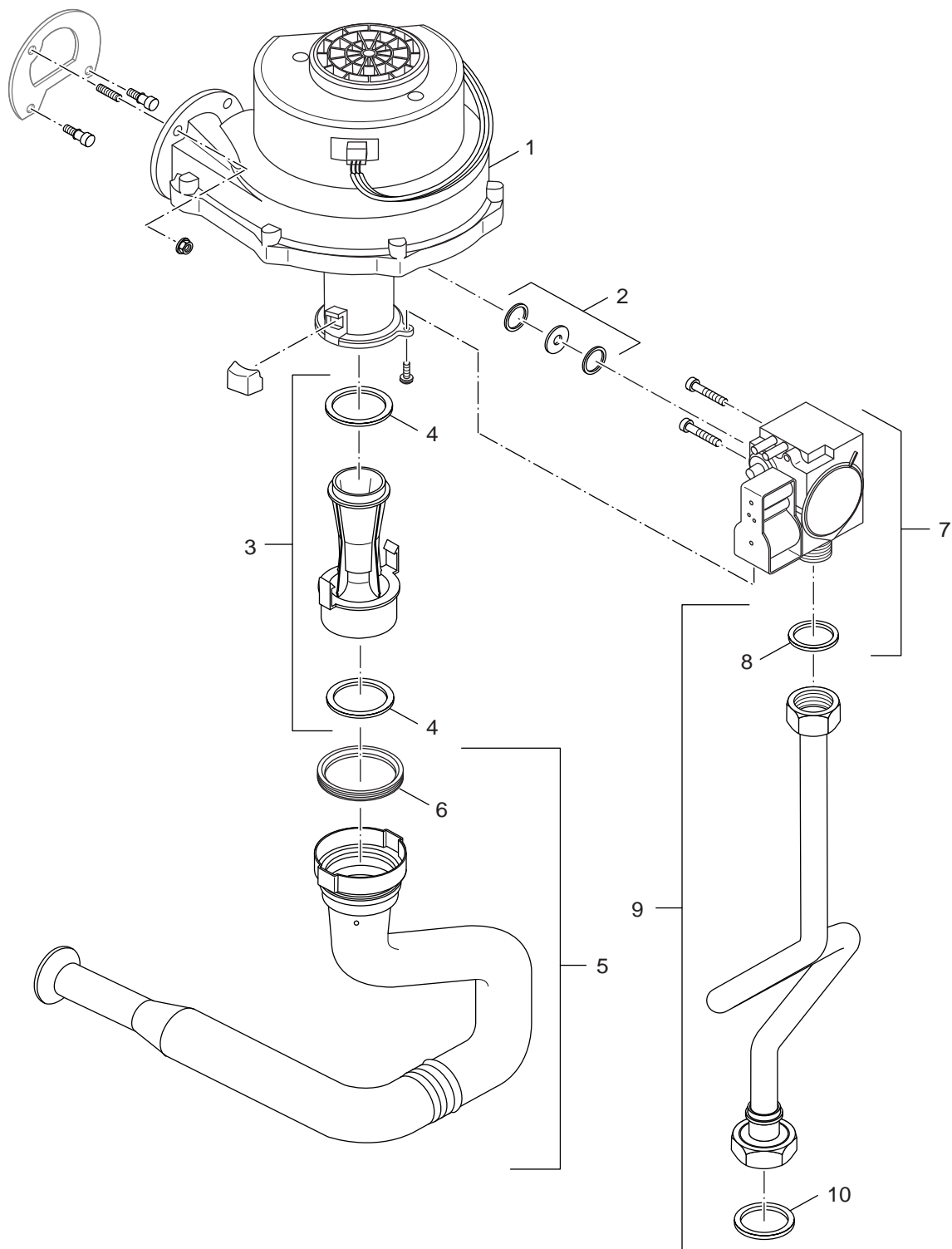


6720904822-00-Rahmen/Kondenssammler GB022

Rahmen/Kondenssammler GB022
Frame GB022
Cadre-support GB022
Frame GB022
estrutura GB022
Çerçeve GB022

GB022-24,24K

1



6720904823-00-Gebläse GB022

2

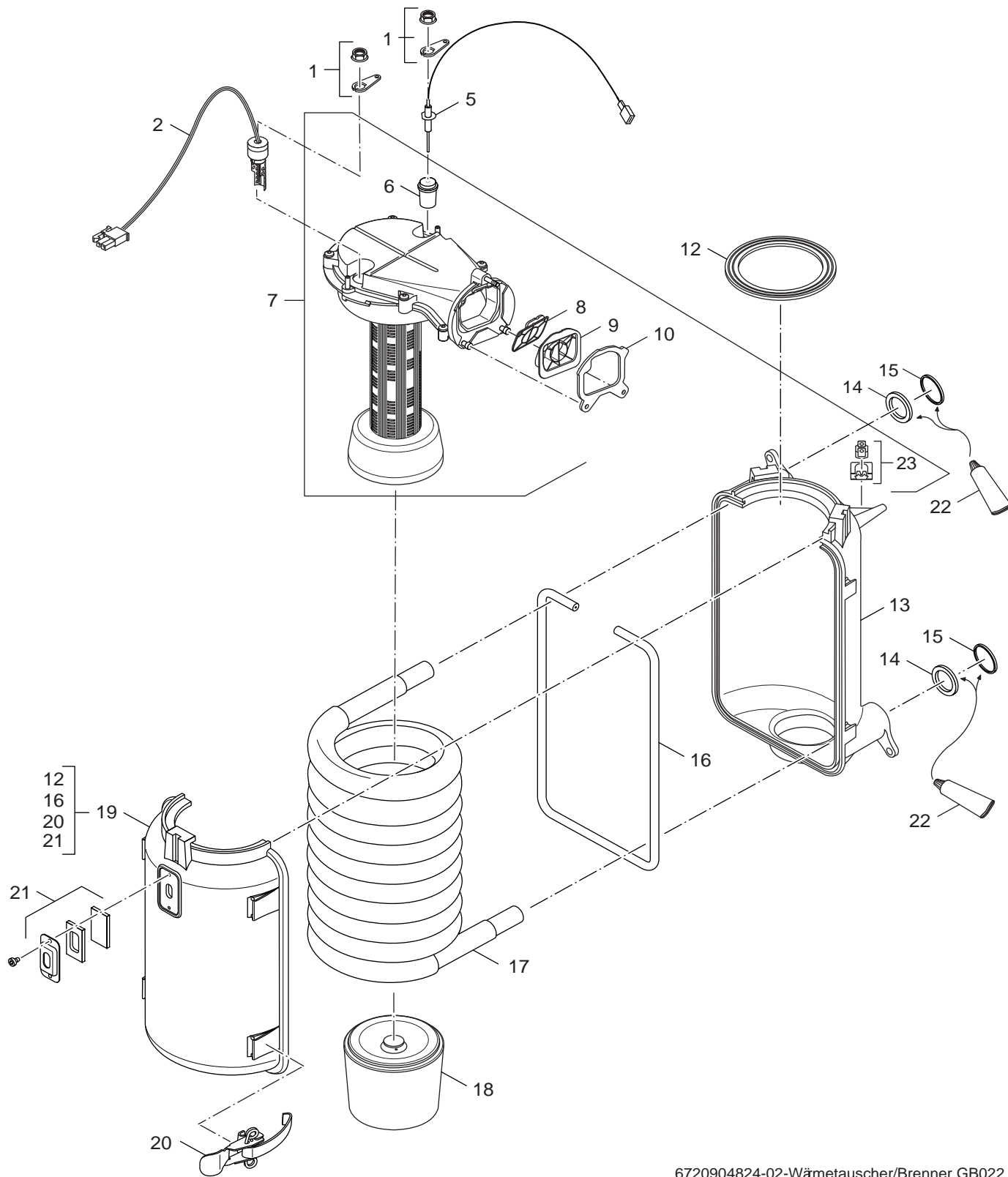
Gebläse GB022
Centrifugal blower GB022
Ventilateur GB022
ventilator GB022
ventilador GB022
Fan GB022

GB022-24,24K

Ersatzteilliste
Spare parts list

Liste des pièces de rechange
Onderdelenlijst

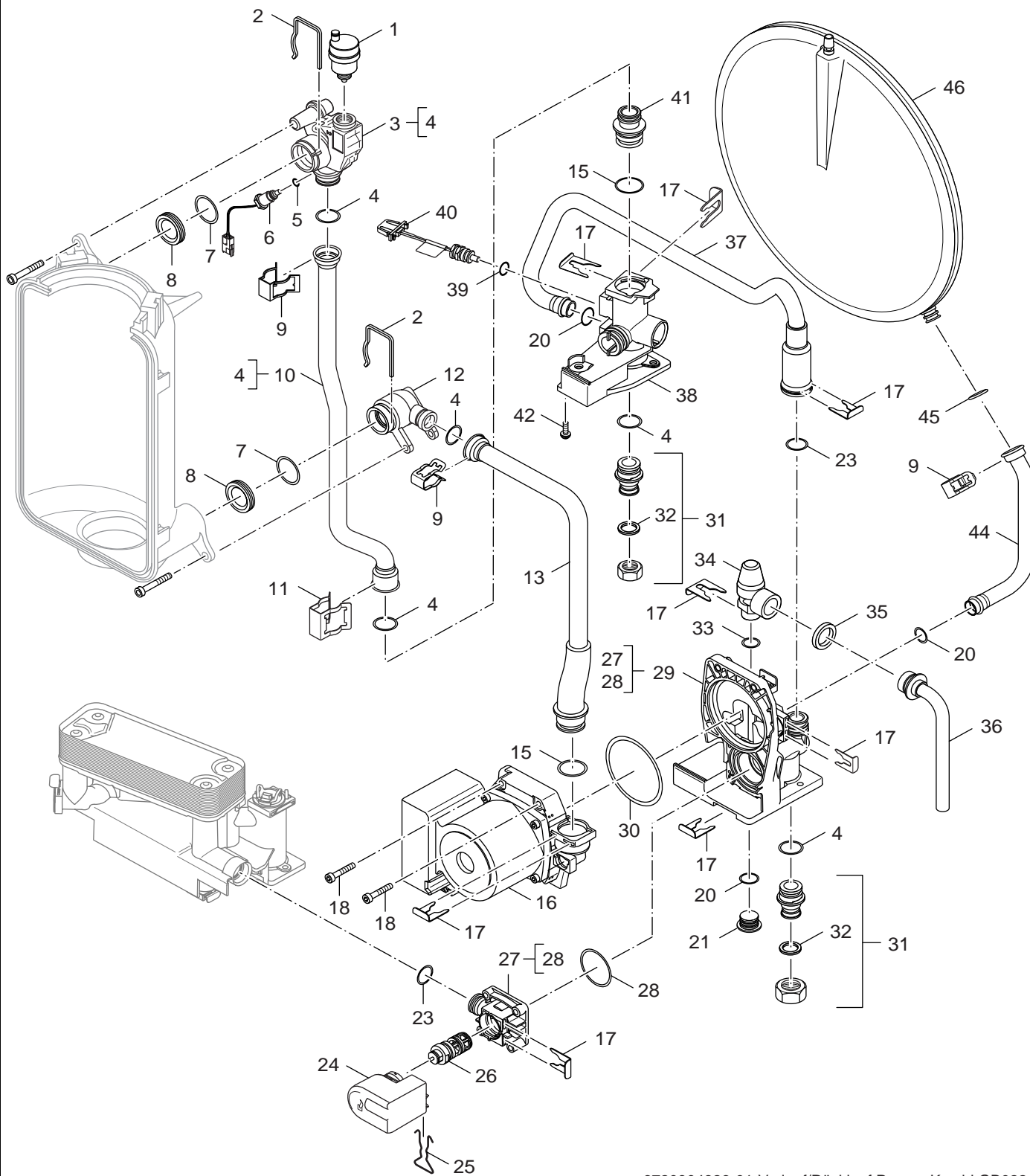
Catálogo de peças de substituição
Yedek Parça Listesi



6720904824-02-Wärmetauscher/Brenner GB022

3
Wärmetauscher/Brenner GB022
Heat exchanger/Burner GB022
Echangeur de chaleur/Brûleur GB022
Warmtewisselaar / brander GB022
permutador de calor / queimador GB022
E#anjör / Brülör GB022

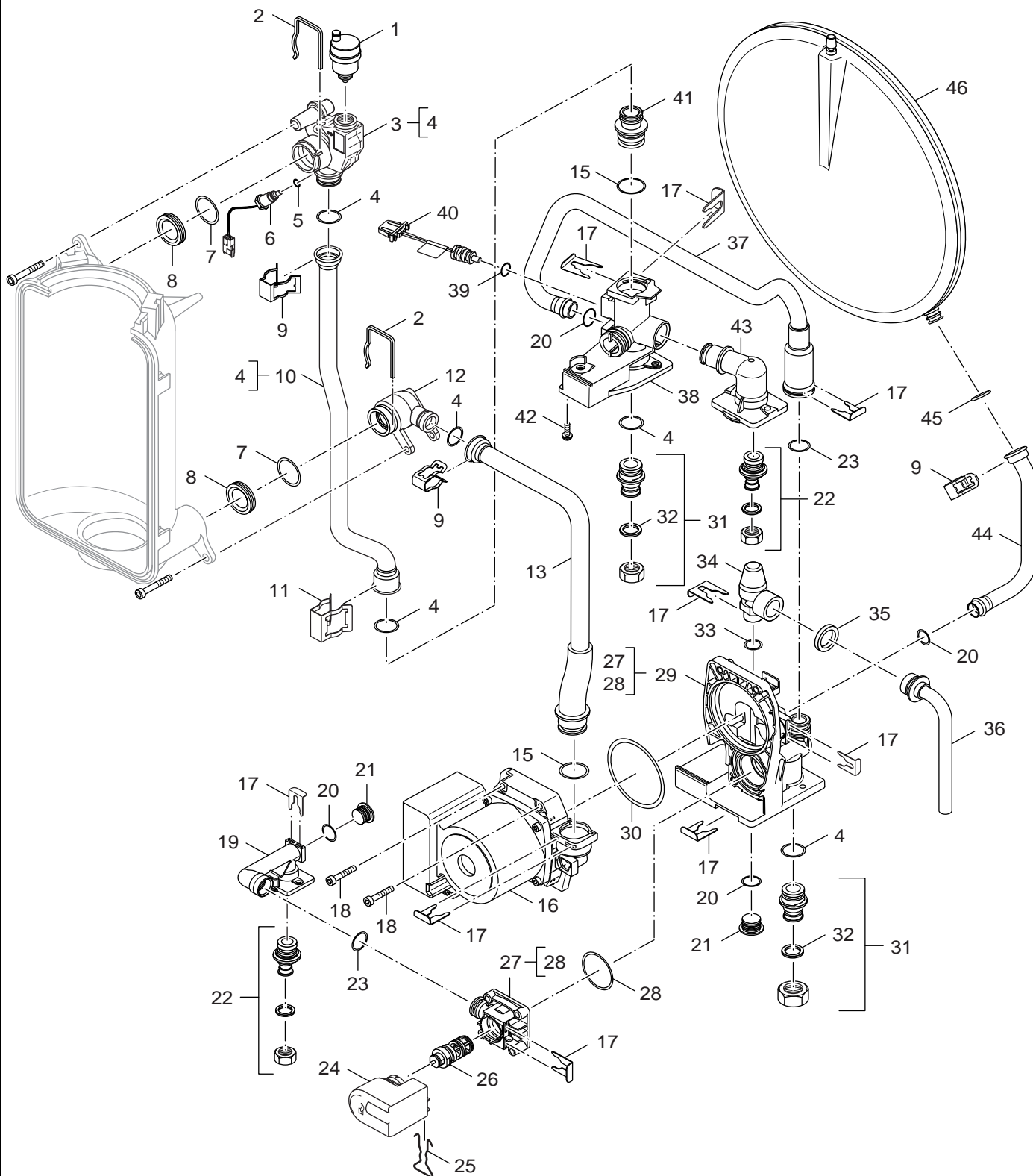
GB022-24,24K



6720904826-01-Vorlauf/Rücklauf Pumpe Kombi GB022

4 Vorlauf/Rücklauf Pumpe Kombi GB022
flow / return Kombi GB022
départ/retour Kombi GB022
aanvoer/retour Kombi GB022
A avanço/retorno Kombi GB022
gidi# hatt#/dönü# hatt# Kombi GB022

GB022-24,24K



6720904825-01-Vorlauf/Rücklauf Pumpe Single GB022

4 Vorlauf/Rücklauf Pumpe Single GB022
 flow / return Single GB022
 départ/retour Single GB022
B aanvoer/retour Single GB022
 avanço/retorno Single GB022
 gidi# hatt#/dönü# hatt# Single GB022

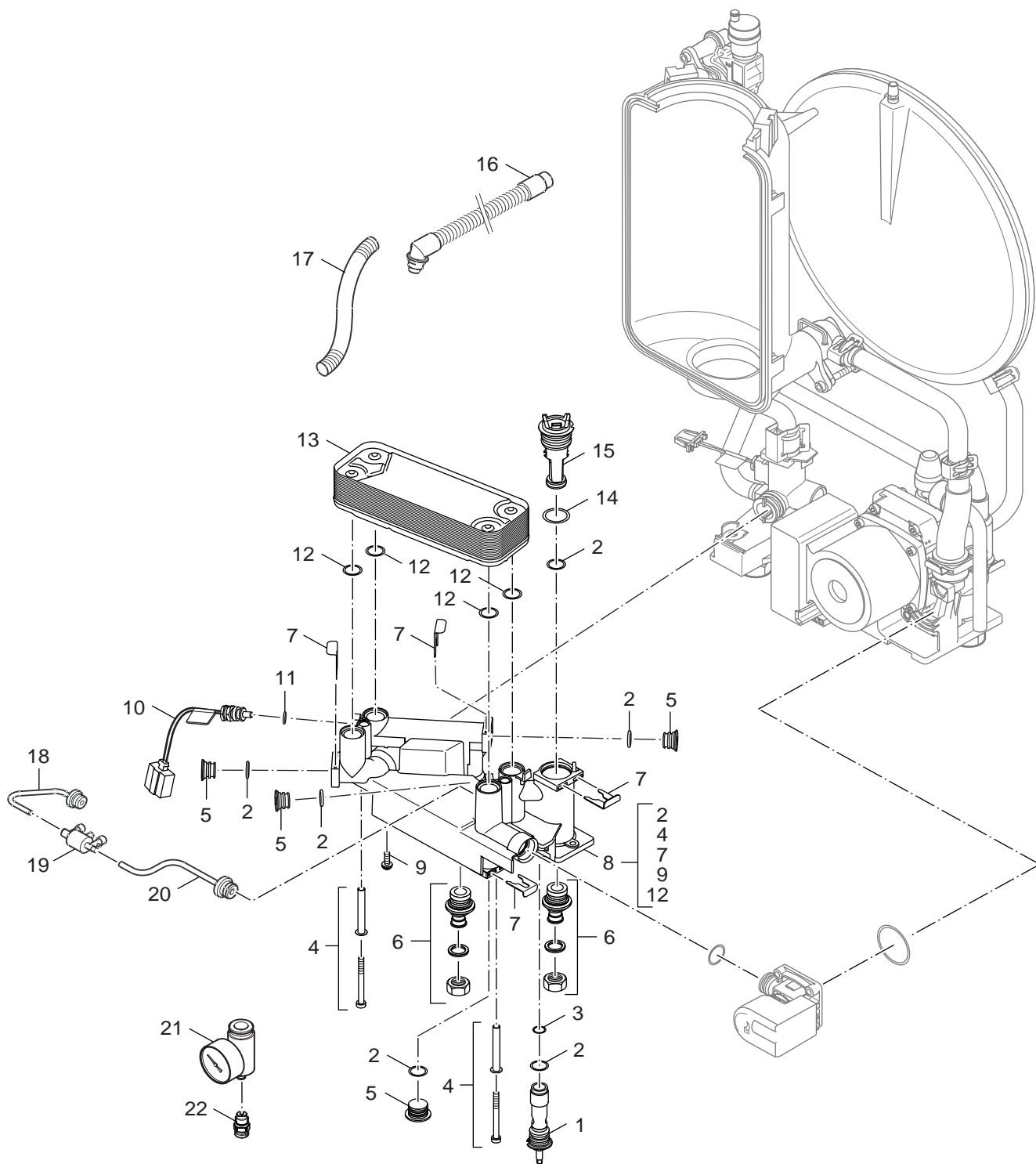
GB022-24,24K

Pos	Bezeichnung description dénomination benaming Designação Aciklamalar	Bestell-Nr. Ordering no. Numero de commande Bestelnummer n° de pedido ordering no.	GB022-24	GB022-24 (CZ)	GB022-24(BE)	GB022-24(IT)	GB022-24(PL/RO)	GB022-24(SK)	GB022-24(TR)										Bemerkungen Remarks Remarques Opmerkingen Observações Notlar
1	Entlüfter automatisch 10bar	7099180	■	■	■	■	■	■	■										
2	Arretierung Spiralrippenrohr-	7099676	■	■	■	■	■	■	■										
3	Anschlussstück Vorlauf	7099428	■	■	■	■	■	■	■										
4	O-Ring 18,72 x2,62 (10x)	7099168	■	■	■	■	■	■	■										
5	O-Ring 6,86x1,78mm (10x)	7100112	■	■	■	■	■	■	■										
6	Sicherheitsfühler GB152	7101564	■	■	■	■	■	■	■										
7	O-Ring 26,3x5,33 (10x)	7099718	■	■	■	■	■	■	■										
8	Lippendichtung DN36,4x24,4x6,3 (2x)	7099794	■	■	■	■	■	■	■										
9	Clip mit Feder (5x)	7099438	■	■	■	■	■	■	■										
10	Rohr Vorlauf	7 746 900 068	■	■	■	■	■	■	■										
11	Halteclip 18mm	7099708	■	■	■	■	■	■	■										
12	Anschlussstück Rücklauf	7099786	■	■	■	■	■	■	■										
13	Rohr Rücklauf	7 746 900 067	■	■	■	■	■	■	■										
15	O-Ring Set 21,82x3,53 a 10St	7101574	■	■	■	■	■	■	■										
16	Pumpe UPER 15-60-130 GB022K	78142	■	■	■	■	■	■	■										
17	Clip D10/16/16/24 je 2 St.	7 746 700 063	■	■	■	■	■	■	■										
18	Schraube M5x30 (5x)	7101586	■	■	■	■	■	■	■										
19	Adapter-Rücklauf Single	7101600	■	■	■	■	■	■	■										
20	O-Ring Set 15,54x2,62 a 10St	7101558	■	■	■	■	■	■	■										
21	Stopfen mit O-Ring 15,54x2,62	7101606	■	■	■	■	■	■	■										
22	Anschlussnippel Warm-Wasser	7101612	■	■	■	■	■	■	■										
23	O-Ring Set 18x3 a 5St	7101644	■	■	■	■	■	■	■										
24	Antrieb für Dreiwegeventil	7099578					■		■										
25	Halteklammer Dreiwegeventilmotor	7099580					■		■										
26	Einsatz für Dreiwegeventil	7099576	■	■	■	■	■	■	■										
27	Gehäuse-Dreiwegeventil	7101598	■	■	■	■	■	■	■										
28	O-Ring 48,9x2,62	7101596	■	■	■	■	■	■	■										
29	Gehäuse-Pumpe-Dreiwegeventil	7101594	■	■	■	■	■	■	■										
30	O-Ring 73x5	7101588	■	■	■	■	■	■	■										
31	Anschlussnippel Heizung Vor-Rücklauf	7101610	■	■	■	■	■	■	■										
32	Flachdichtung 3/4" (10x)	7100196	■	■	■	■	■	■	■										
33	O-Ring 16x2 (5x)	7099067	■	■	■	■	■	■	■										
34	Sicherheitsventil 3bar Steckanschluß	7100888	■	■	■	■	■	■	■										
35	Dichtungssatz-Siphon-Sicherheitsventil	7099628	■	■	■	■	■	■	■										
36	Rohr Sicherheitsventil	78134	■	■	■	■	■	■	■										
37	Überstromventil	78143	■	■	■	■	■	■	■										
38	Gehäuse-Vorlauf-Bypass GB152-Single	7101604	■	■	■	■	■	■	■										
39	O-Ring 9,19x2,62 (10x)	7101534	■	■	■	■	■	■	■										
40	Vor-Rücklauffühler	7101578	■	■	■	■	■	■	■										
41	Rohrdoppelnippel 24x27,9x40	7101572	■	■	■	■	■	■	■										
42	Schraube 4x20 Ejot (5x)	7101590	■	■	■	■	■	■	■										
43	Adapter-Boiler Single GB152	7101602	■	■	■	■	■	■	■										
44	Rohr Ausdehnungsgefäß	78135	■	■	■	■	■	■	■										
45	O-Ring 14,48x2,62 (10x)	7099167	■	■	■	■	■	■	■										
46	Ausdehnungsgefäß	78163	■	■	■	■	■	■	■										

GB022-24,24K

Vorlauf/Rücklauf Pumpe Single GB022
 flow / return Single GB022
 départ/retour Single GB022
 aanvoer/retour Single GB022
 avanço/retorno Single GB022
 gidi# hatt#/dönü# hatt# Single GB022

4B



6720904827-01-Hydraulik Kombi GB022

5

Hydraulik Kombi GB022
Hydraulic Kombi GB022
hydraulique Kombi GB022
Hydraulik Kombi GB022
Hydraulik Kombi GB022
Hydraulik Kombi GB022

GB022-24,24K

Übersetzungsliste List of translations		Liste des traductions Vertalinglijst		Lista das traduções Ceviri Listesi	
Pos	Description	Denomination	Benaming	Descrição	Acıklamalar
1	Element of construction	Groupe de construction	Montagegroep	Elemento da construção	Yapi elemanlari
1	Casing	HABIL CPL GB022K	Casing	revesti mento	GB022 DI# PLASTIK KAPAK
2	Sealing Cover	Joint	pakking	veda ção	GB022 DIS SAÇ CONTASI
3	Casing lock	CLEF HABILLAGE GB022K			GB022 DI# SAÇ KILIT MEKANIZMASI
4	DBA	DBA 1.9	DBA	DBA	GB022 DBA BEYIN
5	Switch with rocker	Interrupteur	Schakelaar met wip	Interruptor com b áscula	GB162 ON-OFF #ALTER
6	Cable harness	Cable harness	Cable harness	Cable harness	GB022 KABLO GRUBU
7	RTH Converter				GB022 ODA TERMOSTAD YUVASI
8	Grommet cover (2 pc)	Passe-câble (2x)	kabeldoorvoer (2x)	passagem do cabo (2x)	Kablo Yuvas# (2x)
9	Holder	SUPPORT U122/124+GB132 SMARTLINE	houder	suporte	U002-124 DUVAR ASKI SACI
10	Concentric adapter	ELT RACCORD CHAUD CONCENTRIQUE GB022K			
11	Silicon lip gasket DN100 for Cover plate	Joint de lèvre DN100	lipring DN100	rebordo da veda ção DN100	Conta DN100
12	Condensation header Flue pipe with	TUBE CONDENSAT GB 132	Kondensopvangstuk	colector de condensados	Kondens Suyu Toplay#c#s#
13	Gasket Flue pipe D60	JOINT POUR EVACUATION D60	Afdichting D60	Veda ção D60	GB122 BACA GAZI BORUSU CONTASI
14	Lip gasket D60 for condensation header	Joint D60	lipring D60	rebordo da veda ção D60	BG122 BACA CONTASI
15	Condensation header	Recuperateur de condensats	Kondensopvangstuk	colector de condensados	GB122 KONDENSE SU TOPLAYICI
16	Gasket condensate header flue gas line	Joint pour GB 132	pakking	veda ção	GB122 KONDENSE SU TOPLY.CONTAS
17	Sensor Flue gas with Gasket	SONDE POUR CONDENSEUR GB022			GB122 BACA GAZI SENSÖRÜ
18	Gasket kit gas hydraulics	Joints gaz- hydraulique			U124 SIZDIRMAZLIK CONTA SETI
19	Gasket set syphon safety valve	Joint siphon	Set afdichting		GB122 CONTA
20	Condensate trap	SIPHON	Sifon	sifão	GB 022 SIFON
2	Element of construction	Groupe de construction	Montagegroep	Elemento da construção	Yapi elemanlari
1	fan GB132 V3	Ventilateur GB132	Gebläse kpl GB132 V3	Ventilador caldeira - GB132 V3	Gebläse kpl GB132 V3
2	Gas orifice 2E (G20) m Gasket	Injecteur 2e (g20) avec joint		Injector gás nat. 2E (G20) D 4.45	gaz memesi 2E (G20) D 4,45
3	Air nozzle for G20 and G25	Injecteur air g20/g25 24/30 kW			
4	Flat gasket kit for air nozzle	Lot de joints plats	Set vlakke afdichting voor luchtsproeier	Conj. veda ções planas para bocal do ar	Hava memesi için form conta seti
5	Fan air supply pipe with Gasket	Tuyau d'aspir d'air de ventil avec joint			
6	Gasket inlet pipe (5x) Nr.111.069A	Joint tuyau d'asp.d'air (5x) nr.111.069a		veda ção (5x)	Conta (5x)
7	Valve Gas 848 Sigma	BLOC GAZ 848 SIGMA	gasblok 848 Sigma	Aut.de Gás premix GB132 - GB022	Gaz Armatürü 848 Sigma
8	Seal set (5 pcs)	JOINT PLAT 23.8 X 16.4 POUR GB152T (5x)	pakking (5x)	veda ção (5x)	Conta (5x)
9	Pipe Gas	Tube gaz	Gaspijp	tubo do gás	Gaz Borusu
10	Flat gasket 1" (5x)	JOINT PLAT 1" (5x)	vlakke afdichting 1"(5x)	veda ção plana 1"(5x)	U122-124 1" CONTA (5 LI)
3	Element of construction	Groupe de construction	Montagegroep	Elemento da construção	Yapi elemanlari
1	Handle Ionisation electrode / heat	Fixation electrode d'ionisation GB132			
2	Ignition Hot Surface	ALLUMEUR A INCANDESCENCE	Ignition Hot Surface	Ignition Hot Surface	Ignition Hot Surface
5	Ionisation electrode for GB112	Electrode ionisation cpllt GB112/122/022k		Electrodo de ionização p/ GB112	GB112 IYONIZASYON ELEKTRODU
6	Gasket for Ionisation electrode (5x)	Joint electrode ionis,smartline (5x)		veda ção (5x)	Conta (5x)
7	SERVICE SET GA Supply	KIT DE CONVERSION BRULEUR C2	Service set branderonderdeel	Kit de reparação C2	GB022 BRÜLÖR
8	non-return valve BK13 V2 GB022	Kit clapet anti retour GB132	Terugslagventielelement V2	Adaptador da válvula de retenção V2	Çekvalf seti V2
9	Anti-Hammer Valve BK13 V3	Clapet anti-retour bk13 V3	Terugslagklep V3	válvula de retenção V3	Geri Tepme Klapesi V3
10	sealing fan V2	Joint ventilateur n°111.084	pakking	veda ção	Conta
12	Burner gasket	Joint brul smartline	Brander afdichting	veda ção do queimador	Brülör Contas#
13	Heat_exchanger Back Side	COQUILLE ARRIERE ECHANGEUR GB132	Isolatie Achter	isolamento atrás	#zolasyon arka
14	Lip gasket DN36,4x24,4x6,3 (2x)	Joint DN36,4x24,4x6,3 (2x)	lipring DN36,4x24,4x6,3 (2x)	rebordo da veda ção DN36,4x24,4x6,3 (2x)	GB122 CONTA 36,4x24,4x6,3
15	O-ring 26,3x5,33 (10x)	O-ring 26,3x5,33 (10x)	O-ring 26,3x5,33 (10x)	o-ring 26,3x5,33 (10x)	GB122 O-RING 26,3x5,33
16	Seal Heat Exchanger	JOINT FACADE AVANT ECHANGEUR GB122			
17	Heat_exchanger Spiral C2	ECHANGEUR C2 SPIRAL		Permutador	E#ANJÖR
18	Diverting hood	Deflecteur fumee			
19	Heat_exchanger Front Side	COQUILLE AVANT ECHAN THERMIQUE GB022k	Isolatie Voor	isolamento à frente	#zolasyon ön
20	Clamp (2x)	Fixation (2x)			
21	Viewing hole window for GB132	Verre de hublot compl.pour GB132			
22	Silicone special, tube 25gr	Graisse silicone tube 25 gr			GB122 YA# TÜPÜ 25GR
23	MAX THERMOSTAT WITH CLIP	THERMOSTAT SURVEILLANCE+CLIP BRÛLEURS C2	MAX THERMOSTAT WITH CLIP	MAX THERMOSTAT WITH CLIP	MAX THERMOSTAT WITH CLIP
4A	Element of construction	Groupe de construction	Montagegroep	Elemento da construção	Yapi elemanlari
1	Air vent automatic 10 bar	Purgeur automatique 10bar	Automatische ontlufter 10 bar.	Purgador	10bar-115 C OTOMATIK PURJÖR
2	Locking device spiral finned tube heat	Fixation échangeur (2x)			GB122 ESANJÖR BA#.KLIPSI
3	Connector flow	Piece raccordement depart GB132T	Aansluitstuk	peça de ligação	Baglant# Parcas#

Übersetzungsliste List of translations		Liste des traductions Vertalinglijst		Lista das traduções Ceviri Listesi	
Pos	Description	Denomination	Benaming	Descrição	Acıklamalar
4	O-ring 18,72 x2,62 (10x)	JOINT TORIQUE 18.72x2.62 (10x)	O-ring 18,72 x2,62 (10x)	O-ring 18,72 x2,62 (10x)	U122-124 (18,72x2,62) CONTA
5	O-ring 6,86x1,78mm,Set a 10 Piece	JOINT TORIQUE 6.86x1,78 10 PIECES	O-ring 6,86x1,78mm (10x)	o-ring 6,86x1,78mm (10x)	6,86*1,78mm.PLASTIK CONTA
6	Sensor GB152	SONDE DE SECURITE GB152-022K			Sensör
7	O-ring 26,3x5,33 (10x)	O-ring 26,3x5,33 (10x)	O-ring 26,3x5,33 (10x)	o-ring 26,3x5,33 (10x)	GB122 O-RING 26,3x5,33
8	Lip gasket DN36,4x24,4x6,3 (2x)	Joint DN36,4x24,4x6,3 (2x)	lipring DN36,4x24,4x6,3 (2x)	rebordo da vedação DN36,4x24,4x6,3 (2x)	GB122 CONTA 36,4x24,4x6,3
9	Clip with Spring (5x)	Clips GB132T/142/smartline (5x)			
10	CH SUPPLY PIPE	CH SUPPLY PIPE	CH SUPPLY PIPE	CH SUPPLY PIPE	CH SUPPLY PIPE
11	Support clip 18mm	Fixation GB122 18mm -5 pieces			GB122 TUTUCU KLIPS
12	Connector Return	Tubul racc retour			GB122 DÖNÜ# BA#L.T.BORUSU
13	CH SUPPLY PIPE	CH SUPPLY PIPE	CH SUPPLY PIPE	CH SUPPLY PIPE	CH SUPPLY PIPE
15	o-ring set 21,82x3,53 A 10pc	Kit joint torique 21,82x3,53 a 10pièces	O-ring set 21,82x3,53 a 10 st	Conjunto O-rings 21,82x3,53 10 uni.	O-Ring seti 21,82x3,53 a 10 adet
16	Pump UPER 15-60-130 GB022K	Circulateur UPER 15-60-130 GB022K	Pomp UPER 15-60-130 GB022K	Bomba UPER 15-60-130 GB022K	GB 022 SIRK. POMPASI (UPER 15-60-130)
17	Clip D10/16/16/24 2 St.	JEU CLIP GB022K D10/16/16/24 (2pces)	Klemveer DN 10/16/16/24 (4x2)		
18	screw M5x30 (5x)	Vis M5x30 (5x)	Schroef M5x30 (5x)	parafuso M5x30 (5x)	Civata M5x30 (5x)
20	o-ring set 15,54x2,62 A 10pc	Joint torique Set 15,54x2,62 (10x)	O-Ring Set 15,54x2,62 (10 st)	o-ring Set 15,54x2,62 (10x)	O-Ring Set 15,54x2,62 (10x)
21	Grommet o-ring 15,54x2,62	BOUCHON ET JOINT 15,54x2,62	Doorvoertule 15,54x2,62	tampão 15,54x2,62	Tapa 15,54x2,62
23	o-ring set 18x3 A 5pc	JOINT TORIQUE 18x3 (5pces)	O-ring 18x3 (5x)	o-ring 18x3 (5x)	O-Ring 18x3 (5x)
24	Drive for Three-way valve	Moteur vannes 3 voies GB022K-GB132	aandrijving	Válvula 3 vias p GB022	Uc yollu vana Motoru
25	Retaining bracket 3-way valve motor	Ressort GB132T/142/smartline			
26	Insert for Three-way valve	CORPS VANNE 3 VOIES GB022K			Uc yollu vana Mekanigi
27	3-way-valve-housing GB152	CARTER VANNES 3 VOIES GB152			
28	o-ring 48,9x2,62	JOINT TORIQUE 48,9x2,62 GB152	O-ring 48,9x2,62	o-ring 48,9x2,62	O-Ring 48,9x2,62
29	3-way-valve-pump-housing GB152	CARTER DE POMPE DE VANNE 3 VOIES			
30	o-ring 73x5 GB152	Joint torique 73x5	O-ring 73x5	o-ring 73x5	O-Ring 73x5
31	conn nipple heating flow return GB152	RACCORDEMENT DEPART/RETOUR GB022-GB152			Alt baglant# Rakoru
32	Flat gasket 3/4" (10x)	JOINT PLAT 3/4" (10x)	vlakke afdichting 3/4" (10x)	vedação plana 3/4" (10x)	Form Conta 3/4" (10x)
33	O-ring 16x2 (5x)	Joint torique 16x2 (5x)	O-ring 16x2 (5x).	o-ring 16x2 (5x).	O-Ring 16x2 (5x).
34	Safety valve 3 bar plug and socket	GROUPE DE SECURITE 3 BAR U122/124 GB202	Veiligheidsklep 3 bar steekaansluiting	Válv seg 3 bar GB112/GB022 c/o-ring	U122-124 3 bar EMNİYET VENTİLİ
35	Gasket set syphon safety valve	Joint siphon	Set afdichting		GB122 CONTA
36	Discharge pipe				
37	By-pass	BY PASS GB022K	By-pass	válvula de descarga	GB022 BY-PASS VANASI
38	flow-bypass-housing GB152-combi	ELTS DE RACCOR DEPART COMBI GB152-GB022K			
39	O-ring 9,19x2,62 set 10 St	Joint torique 9,19x2,62 kit 10 pièces	O-Ring 9,19x2,62 set 10 st	O-ring 9,19x2,62 conjunto 10 unidades	GB162 O-RING CONTA(9,19*2,62)
40	flow return sensor GB152	SONDE DEPART RETOUR GB152 - GB202	Aanvoer-/retourvoeler	sonda de retorno	Gidis-dönüs hattı sensörü
41	TUBE-TWIN-NIPPLE DIN 2982 1/2X60 V	TUYAU-NIPPLE JUMBLE DIN 2982 1/2X60 V			
42	screw 4x20 Ejot (5x)	Vis 4x20 Ejot (5x)	Schroef 4x20 Ejot (5x)	parafuso 4x20 Ejot (5x)	Civata 4x20 Ejot (5x)
44	Expansion vessel pipe	Tube	Pijp	tubo	Boru
45	O-ring 14,48x2,62 (10x)	JOINT TORIQUE 14.48x2.62 (10x) GB152T	O-ring 14,48x2,62 (10x)	o-ring 14,48x2,62 (10x)	U122-124 (14.48x2,62)CONTA
46	Expansion vessel	VASE D'EXPANSION GB022K	expansievat	vaso de expansão	GB022 GENLE#ME TANKI
4B	Element of construction	Groupe de construction	Montagegroep	Elemento da construção	Yapı elemanları
1	Air vent automatic 10 bar	Purgeur automatique 10bar	Automatische ontlufter 10 bar.	Purgador	10bar-115 C OTOMATİK PURJÖR
2	Locking device spiral finned tube heat	Fixation échangeur (2x)			GB122 ESANJÖR BA#L.KLİPSİ
3	Connector flow	Piece raccordement depart GB132T	Aansluitstuk	peça de ligação	Baglant# Parcas#
4	O-ring 18,72 x2,62 (10x)	JOINT TORIQUE 18.72x2.62 (10x)	O-ring 18,72 x2,62 (10x)	O-ring 18,72 x2,62 (10x)	U122-124 (18,72x2,62) CONTA
5	O-ring 6,86x1,78mm,Set a 10 Piece	JOINT TORIQUE 6.86x1,78 10 PIECES	O-ring 6,86x1,78mm (10x)	o-ring 6,86x1,78mm (10x)	6,86*1,78mm.PLASTIK CONTA
6	Sensor GB152	SONDE DE SECURITE GB152-022K			Sensör
7	O-ring 26,3x5,33 (10x)	O-ring 26,3x5,33 (10x)	O-ring 26,3x5,33 (10x)	o-ring 26,3x5,33 (10x)	GB122 O-RING 26,3x5,33
8	Lip gasket DN36,4x24,4x6,3 (2x)	Joint DN36,4x24,4x6,3 (2x)	lipring DN36,4x24,4x6,3 (2x)	rebordo da vedação DN36,4x24,4x6,3 (2x)	GB122 CONTA 36,4x24,4x6,3
9	Clip with Spring (5x)	Clips GB132T/142/smartline (5x)			
10	CH SUPPLY PIPE	CH SUPPLY PIPE	CH SUPPLY PIPE	CH SUPPLY PIPE	CH SUPPLY PIPE
11	Support clip 18mm	Fixation GB122 18mm -5 pieces			GB122 TUTUCU KLIPS
12	Connector Return	Tubul racc retour			GB122 DÖNÜ# BA#L.T.BORUSU
13	CH SUPPLY PIPE	CH SUPPLY PIPE	CH SUPPLY PIPE	CH SUPPLY PIPE	CH SUPPLY PIPE
15	o-ring set 21,82x3,53 A 10pc	Kit joint torique 21,82x3,53 a 10pièces	O-ring set 21,82x3,53 a 10 st	Conjunto O-rings 21,82x3,53 10 uni.	O-Ring seti 21,82x3,53 a 10 adet
16	Pump UPER 15-60-130 GB022K	Circulateur UPER 15-60-130 GB022K	Pomp UPER 15-60-130 GB022K	Bomba UPER 15-60-130 GB022K	GB 022 SIRK. POMPASI (UPER 15-60-130)
17	Clip D10/16/16/24 2 St.	JEU CLIP GB022K D10/16/16/24 (2pces)	Klemveer DN 10/16/16/24 (4x2)		
18	screw M5x30 (5x)	Vis M5x30 (5x)	Schroef M5x30 (5x)	parafuso M5x30 (5x)	Civata M5x30 (5x)

Übersetzungsliste List of translations		Liste des traductions Vertalinglijst		Lista das traduções Ceviri Listesi	
Pos	Description	Denomination	Benaming	Descrição	Acıklamalar
19	Adapter-Backflow for GB152 Single				
20	o-ring set 15,54x2,62 A 10pc	Joint torique Set 15,54x2,62 (10x)	O-Ring Set 15,54x2,62 (10 st)	o-ring Set 15,54x2,62 (10x)	O-Ring Set 15,54x2,62 (10x)
21	Grommet o-ring 15,54x2,62	BOUCHON ET JOINT 15,54x2,62	Doorvoertule 15,54x2,62	tampão 15,54x2,62	Tapa 15,54x2,62
22	conn nipple Hot-Water GB152	RACCORD EAU CHAUDE GB022			
23	o-ring set 18x3 A 5pc	JOINT TORIQUE 18x3 (5pces)	O-ring 18x3 (5x)	o-ring 18x3 (5x)	O-Ring 18x3 (5x)
24	Drive for Three-way valve	Moteur vannes 3 voies GB022k-GB132	aandrijving	Válvula 3 vias p GB022	Uc yollu vana Motoru
25	Retaining bracket 3-way valve motor	Ressort GB132T/142/smartline			
26	Insert for Three-way valve	CORPS VANNE 3 VOIES GB022K			Uc yollu vana Mekanigi
27	3-way-valve-housing GB152	CARTER VANNES 3 VOIES GB152			
28	o-ring 48,9x2,62	JOINT TORIQUE 48,9x2,62 GB152	O-ring 48,9x2,62	o-ring 48,9x2,62	O-Ring 48,9x2,62
29	3-way-valve-pump-housing GB152	CARTER DE POMPE DE VANNE 3 VOIES			
30	o-ring 73x5 GB152	Joint torique 73x5	O-ring 73x5	o-ring 73x5	O-Ring 73x5
31	conn nipple heating flow return GB152	RACCORD EAU CHAUDE RETOUR GB022-GB152			Alt baglantı# Rakoru
32	Flat gasket 3/4" (10x)	JOINT PLAT 3/4" (10x)	vlakke afdichting 3/4" (10x)	vedação plana 3/4" (10x)	Form Conta 3/4" (10x)
33	O-ring 16x2 (5x)	Joint torique 16x2 (5x)	O-ring 16x2 (5x).	o-ring 16x2 (5x).	O-Ring 16x2 (5x).
34	Safety valve 3 bar plug and socket	GROUPE DE SECURITE 3 BAR U122/124 GB202	Veiligheidsklep 3 bar steekaanluiting	Válv seg 3 bar GB112/GB022 c/o-ring	U122-124 3 bar EMNİYET VENTİLİ
35	Gasket set syphon safety valve	Joint siphon	Set afdichting		GB122 CONTA
36	Discharge pipe				
37	By-pass	BY PASS GB022K	By-pass	válvula de descarga	GB022 BY-PASS VANASI
38	flow-bypass-housing GB152-Single				
39	O-ring 9,19x2,62 set 10 St	Joint torique 9,19x2,62 kit 10 pièces	O-Ring 9,19x2,62 set 10 st	O-ring 9,19x2,62 conjunto 10 unidades	GB162 O-RING CONTA(9,19*2,62)
40	flow return sensor GB152	SONDE DEPART RETOUR GB152 - GB202	Aanvoer-/retourvoeler	sonda de retorno	Gidis-dönüs hattı sensörü
41	TUBE-TWIN-NIPPLE DIN 2982 1/2X60 V	TUYAU-NIPPLE JUMBLE DIN 2982 1/2X60 V			
42	screw 4x20 Ejot (5x)	Vis 4x20 Ejot (5x)	Schroef 4x20 Ejot (5x)	parafuso 4x20 Ejot (5x)	Civata 4x20 Ejot (5x)
43	Adapter-Boiler Single GB152	Raccord Boiler	Adapter Boiler	adaptador Boiler	Adaptör Boiler
44	Expansion vessel pipe	Tube	Pijp	tubo	Boru
45	O-ring 14,48x2,62 (10x)	JOINT TORIQUE 14,48x2,62 (10x) GB152T	O-ring 14,48x2,62 (10x)	o-ring 14,48x2,62 (10x)	U122-124 (14.48x2,62)CONTA
46	Expansion vessel	VASE D'EXPANSION GB022K	expansievat	vaso de expansão	GB022 GENLE#ME TANKI
5	Element of construction	Groupe de construction	Montagegroep	Elemento da construção	Yapı elemanları
1	Water Volume Control GB152	REGLEUR DE DEBIT EAU GB152	Waterdebietregelaar	regulador do caudal	Su Debi Regülatörü
2	o-ring set 15,54x2,62 A 10pc	Joint torique Set 15,54x2,62 (10x)	O-Ring Set 15,54x2,62 (10 st)	o-ring Set 15,54x2,62 (10x)	O-Ring Set 15,54x2,62 (10x)
3	o-ring 6,07x1,78 A 5pc	Joint torique 6,07x1,78 (5x)	O-ring 6,07x1,78 (5x)	o-ring 6,07x1,78 (5x)	O-Ring 6,07x1,78 (5x)
4	screw M5x70 distance holders GB152	Vis M5x70	Schroef M5x70	parafuso M5x70	Civata M5x70
5	Grommet o-ring 15,54x2,62	BOUCHON ET JOINT 15,54x2,62	Doorvoertule 15,54x2,62	tampão 15,54x2,62	Tapa 15,54x2,62
6	conn nipple Hot-Water GB152	RACCORD EAU CHAUDE GB022			
7	Clip D10/16/16/24 2 St.	JEU CLIP GB022K D10/16/16/24 (2pces)	Klemveer DN 10/16/16/24 (4x2)		
8	Hydraulic Connection Plate Heat Exchange	ELET.RACCORD.ECHANG.THERMIQUE ECS			Esanjor Hidrolik Grubu
9	screw 4x20 Ejot (5x)	Vis 4x20 Ejot (5x)	Schroef 4x20 Ejot (5x)	parafuso 4x20 Ejot (5x)	Civata 4x20 Ejot (5x)
10	Sensor NTC cpl (611 248A)	SONDE NTC COMPLETE (611248A) GB202	Voeler NTC cpl (611 248A)	Sonda NTC comp. (611 248A)	GB162 NTC EMNİYET SENSÖRÜ
11	O-ring 9,19x2,62 set 10 St	Joint torique 9,19x2,62 kit 10 pièces	O-Ring 9,19x2,62 set 10 st	O-ring 9,19x2,62 conjunto 10 unidades	GB162 O-RING CONTA(9,19*2,62)
12	o-ring 16x3,5 A 10pc	Joint torique 16x3,5 (10x)	O-ring 16x3,5 (10x)	o-ring 16x3,5 (10x)	O-Ring 16x3,5 (10x)
13	flat heat exchanger GB152	ECHANGEUR A PLAQUE GB152-022K			GB022 plaka esanjör
14	o-ring 24,2x3 A 5pc	Joint torique 24,2x3 (5x)	O-Ring 24,2x3 (5 st)	o-ring 24,2x3 (5x)	O-Ring 24,2x3 (5x)
15	Flow Sensor wth Filter	DEBITMETRE GB022K-GB152			GB022 Türbin
16	Drainpipe + extension syphon	TUBE DE SYPHON POUR GB022K			GB022 SIFON FLEKSI
17	Condensate drainpipe 24	Condensate drainpipe 24	Condensate drainpipe 24	Tubo esgoto condensados	GB022 FLEX HORTUM
18	DISCONNECTEUR RETURN PIPE	TUYAU RETOUR DISCONNECTEUR	DISCONNECTEUR RETURN PIPE	DISCONNECTEUR RETURN PIPE	GB022 DOLDURMA MUSLU#U GID# BORUSU
19	DISCONNECTEUR GB022K	DISCONNECTEUR SANS RACCORD GB122	DISCONNECTEUR GB022K	DISCONNECTEUR GB022K	GB022 SU DOLDURMA VANASI
20	DISCONNECTEUR SUPPLY PIPE	TUYAU DEPART DISCONNECTEUR	DISCONNECTEUR SUPPLY PIPE	DISCONNECTEUR SUPPLY PIPE	GB022 DOLD.MUSLU#U DON# BORUSU
21	GB022 MONOMETRE BAGLANTI SETI	MANOMETRE + ELTS DE RACCORD. GB022K	GB022 MONOMETRE BAGLANTI SETI	GB022 MONOMETRE BAGLANTI SETI	GB022 MONOMETRE BA#LANTI SETI
22	Draincock	SOUPAPE DE DEGAZAGE	ontluchtingsventiel	válvula de purga	Hava Alma Ventili

Bosch Thermotechnik GmbH
Sophienstraße 30-32
D-35576 Wetzlar
www.buderus.de

Buderus